

Technical Specifications and Dimensions of EMC Filter for SJ 300 / L 300 P

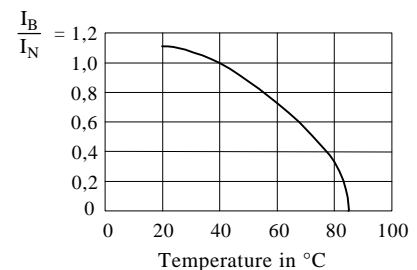
| Typ | FPFB-266-G-3-013 | FPFB-266-G-3-032 | FPFB-266-G-3-064 | BTFB-266-G-3-080 | BTFB-266-G-3-115 | BTFB-266-G-3-125 | BTFB-266-G-3-150 | BTFB-266-G-3-220 | BTFB-266-G-3-260 |
|---|-----------------------|------------------------|-------------------------|-------------------------|-------------------------|-------------------------|-------------------------|-------------------------|---------------------------|
| Voltage in V | 480 +10% | 480 +10% | 480 +10% | 480 +10% | 480 +10% | 480 +10% | 480 +10% | 480 +10% | 480 +10% |
| Current in A at 40°C | 3 x 13A | 3 x 32A | 3 x 64A | 3 x 80A | 3 x 115A | 3 x 125A | 3 x 150A | 3 x 220A | 3 x 260A |
| Leakage current in mA/phase/50Hz worst case 1) | 180 | 280 | 550 | 690 | 750 | 750 | 380 | 380 | 600 |
| Leakage current in mA/phase/50Hz Un 2) | < 30 | < 30 | < 30 | < 30 | < 30 | < 30 | < 30 | < 30 | < 30 |
| Test voltage in V DC, for 2s ph./ph, ph./ground | 2064 / 2064 | 2064 / 2064 | 2064 / 2064 | 2064 / 2064 | 2064 / 2064 | 2064 / 2064 | 2064 / 2064 | 2064 / 2064 | 2064 / 2064 |
| Dimensions Single wire / litze | 4 / 4 mm ² | 10 / 6 mm ² | 25 / 16 mm ² | 35 / 25 mm ² | 50 / 50 mm ² | 50 / 50 mm ² | 95 / 95 mm ² | 95 / 95 mm ² | 150 / 150 mm ² |
| Output cable | 3x2,5mm ² | 3x6mm ² | 3x16mm ² | 3x16mm ² | 3x35mm ² | 3x35mm ² | 3x50mm ² | 3x70mm ² | 3x95mm ² |
| Weight in kg (approx.) | 1,4 | 2,5 | 4,5 | 4,3 | 6,4 | 6,7 | 8,8 | 9,3 | 13,7 |
| Heat dissipation in W (approx.) | 12 | 14 | 36 | 32 | 38 | 45 | 40 | 60 | 50 |

1). “Worst case” states the leakage current of three-phase filters at worst case. That means one phase is live and two phases of the feed-line lead-in are interrupted. These maximum values are based on an operating voltage of 480 V (ph./ph.).

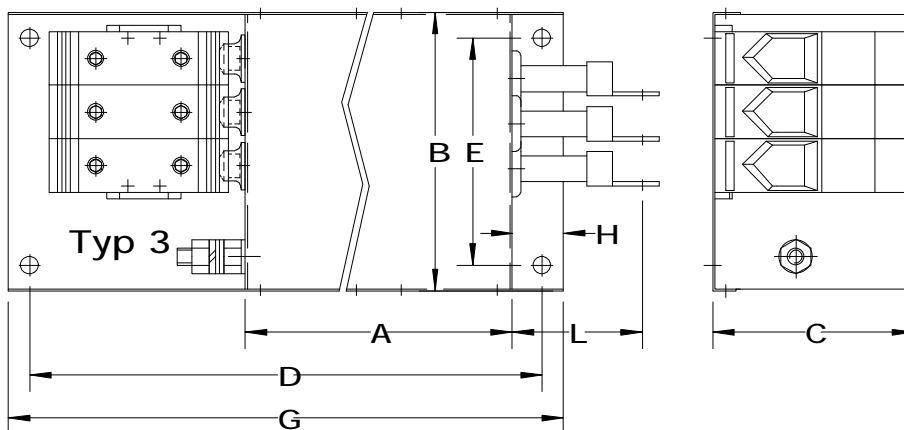
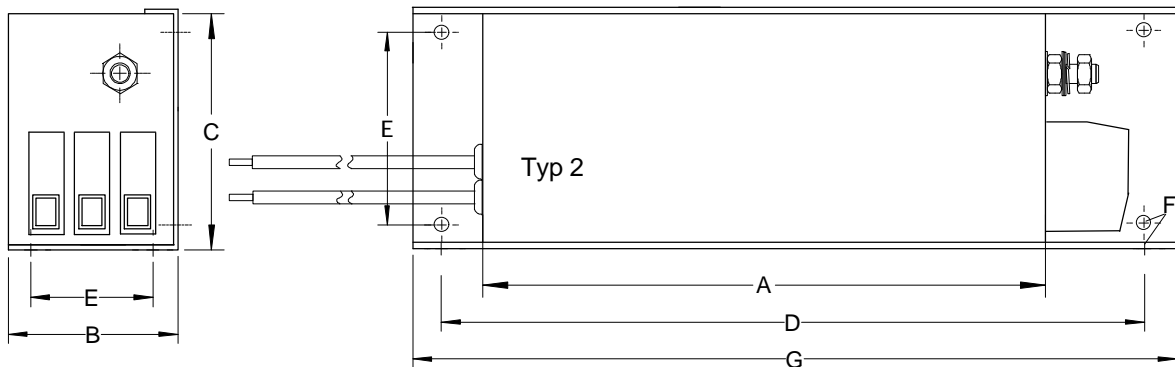
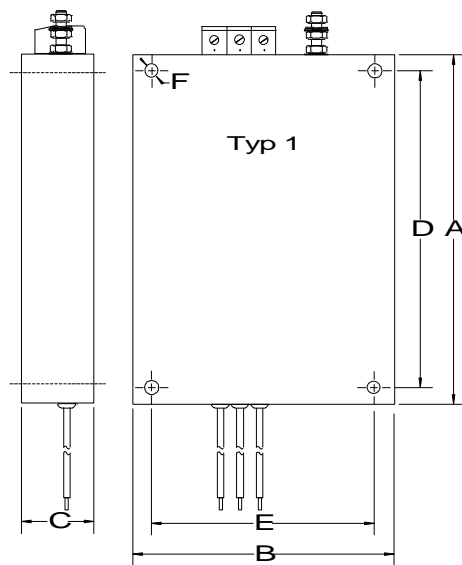
2) The rated leakage current for three-phase filters is stated. This means the filter is operating at 480 V (ph./ph.). The stated values are adhered to up to a neutral voltage of 5V to ground caused by line unbalance.

| | |
|-------------------|--|
| Current | at 40°C ambient temperature |
| Overload | 1.5 x I _N for 10min |
| Frequency | 50 / 60 Hz |
| Material | Steel, surface refined |
| Humidity class | C |
| Operation height | < 1000 m without derating; > 1000 m, I _N -2%, for each 1000m |
| Temperature range | -25°C through +85°C |
| Enclosure | Input terminals IP 20 and PE-holder. Load side: cable, unshielded. |

Dependence of current on ambient temperature:



| Dimensions (in mm) | | | | | | | | | | |
|-------------------------|-----|-----|-----|-----|-----|-----|-------|-----|----|-----|
| Modell: | Typ | A | B | C | D | E | F | G | H | L |
| FPFB-266-G-3-013 | 1 | 255 | 143 | 29 | 241 | 130 | 4x6 | | | |
| FPFB-266-G-3-032 | 1 | 260 | 203 | 43 | 246 | 189 | 4x7 | | | |
| FPFB-266-G-3-064 | 1 | 390 | 244 | 45 | 376 | 229 | 4x7 | | | |
| <i>BTFB-266-G-3-080</i> | 2 | 310 | 60 | 87 | 380 | 50 | 4x8,5 | 400 | | |
| <i>BTFB-266-G-3-115</i> | 2 | 340 | 70 | 110 | 420 | 60 | 4x8,5 | 440 | | |
| <i>BTFB-266-G-3-125</i> | 2 | 340 | 70 | 110 | 420 | 60 | 4x8,5 | 440 | | |
| <i>BTFB-266-G-3-150</i> | 3 | 390 | 130 | 94 | 505 | 105 | 4x9 | 525 | 23 | 480 |
| <i>BTFB-266-G-3-220</i> | 3 | 390 | 130 | 94 | 505 | 105 | 4x9 | 525 | 23 | 500 |
| <i>BTFB-266-G-3-260</i> | 3 | 460 | 142 | 116 | 600 | 120 | 4x9 | 620 | 29 | 600 |



Filter model and inverter type:

| Filter Type | Inverter Type | |
|-------------------------|---------------|--------------|
| FPFB-266-G-3-013 | SJ300 015HF | |
| | SJ300 022HF | |
| | SJ300 037HF | |
| | SJ300 055HF | |
| FPFB-266-G-3-032 | SJ300 075HF | |
| | SJ300 110HF | L300P 110HF |
| | | L300P 150HF |
| FPFB-266-G-3-064 | SJ300 150HF | |
| | SJ300 185HF | L300P 185HF |
| | SJ300 220HF | L300P 220HF |
| | | L300P 300HF |
| <i>BTFB-266-G-3-080</i> | SJ300 300HF | |
| | | L300P 370HF |
| <i>BTFB-266-G-3-115</i> | SJ300 370HF | |
| | SJ300 450HF | L300P 450HF |
| | | L300P 550HF |
| <i>BTFB-266-G-3-125</i> | SJ300 550HF | |
| <i>BTFB-266-G-3-150</i> | | L300P 750HF |
| <i>BTFB-266-G-3-220</i> | SJ300 750HF | L300P 900HF |
| | SJ300 900HF | L300P 1100HF |
| <i>BTFB-266-G-3-260</i> | SJ300 1100HF | |
| | SJ300 1320HF | L300P 1320HF |