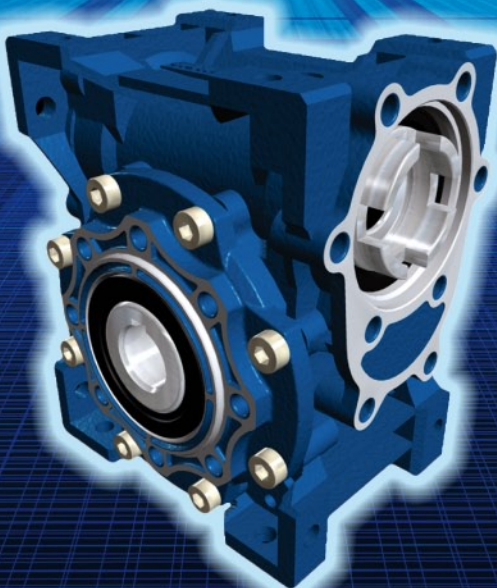


NEW

NMRV *POWER*



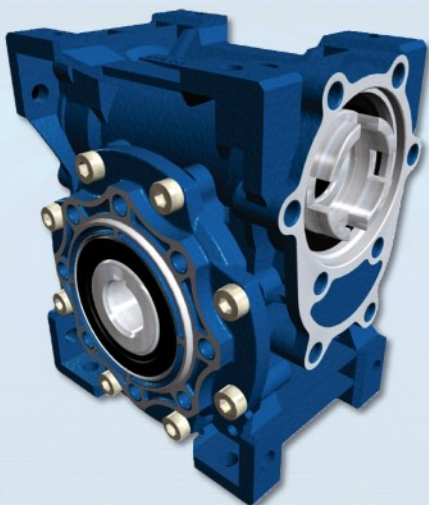
WORM GEAR REDUCERS



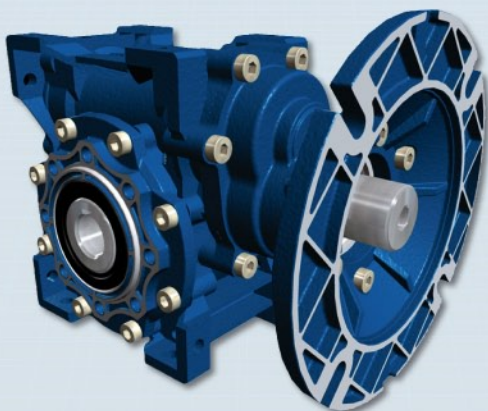
MOTOVARIO®
HEART OF MOTION



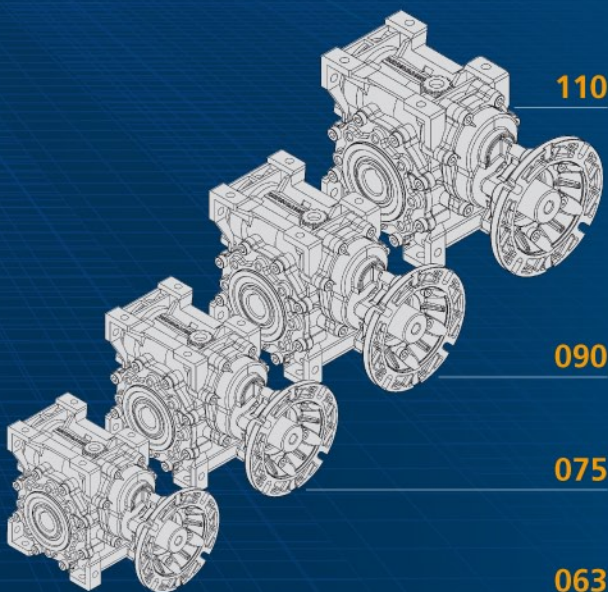
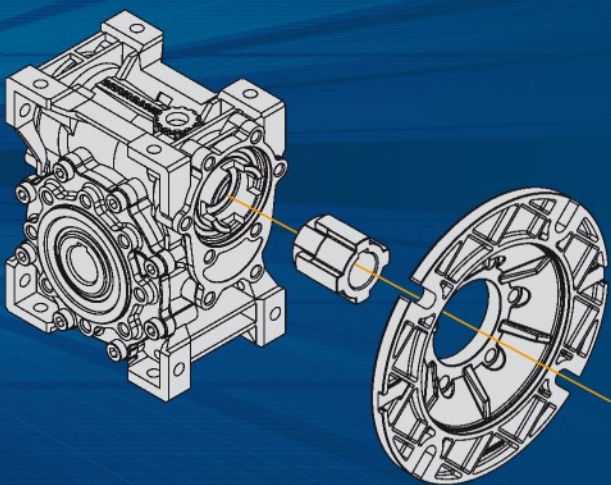
**NMRV® POWER
WORM GEAR REDUCER**



**NMRV® POWER/HW
HELICAL WORM GEAR REDUCER**



Modularity concept is the key development factor of Motovario worm gear reducer range



Worm gear reducer performances

	Motor size up to	Motor power up to	Nominal torque Nm	Ratios
NMRV063 power	090	2,2 kW	170	5,00 to 100,00
NMRV075 power	100-112	4 kW	240	5,00 to 100,00
NMRV090 power	100-112	4,8 kW	432	7,50 to 100,00
NMRV110 power	132	9,2 kW	700	7,50 to 100,00



Helical worm gear reducer performances

	Motor size up to	Motor power up to	Nominal torque Nm	Ratios
PC+NMRV063 power	080	0,92 kW	280	7,25 to 788,00
PC+NMRV075 power	080	1,1 kW	440	10,90 to 788,00
PC+NMRV090 power	090	1,84 kW	730	10,90 to 475,00
PC+NMRV110 power	090	1,84 kW	1100	10,90 to 475,00

NMRV® POWER basic features

New design: rugged casing for higher torque and maximized thermal exchange to reach higher mechanical performances.

Modularity: "new flexible motor flange and motor sleeve".

Only one gear reducer for 3 different motor sizes through the easy replacement of few components.

Reduction of the stock inventory.

Your compact helical worm gear solution: new integral helical unit directly assembled on the worm gear reducer.

Wide range of helical ratios to improve total efficiency of the gearbox, due to an optimized combination on worm gear ratio.

Performances remarkably increased: up to 60%.





GLOBAL SERVICE

Motovario Italy
www.motovario.it

Motovario Germany
www.motovario.de

Motovario Austria
www.motovario.at

Motovario France
www.motovario.fr

Motovario Spain
www.motovario.es

Motovario Denmark
www.motovario.dk

Motovario United Kingdom
www.motovario.co.uk

Motovario USA
www.motovario.com

Motovario China
www.motovario.cn



MOTOVARIO®
HEART OF MOTION