



Incremental Optical Encoder in ATEX enclosure

Main features

One or two optical encoders or a combination of a tachogenerator and an optical encoder can be mounted in an ATEX certified enclosure and used in potentially explosive atmospheres.

The enclosure is ATEX certified II 2 G and D, EEx d IIC – T5.

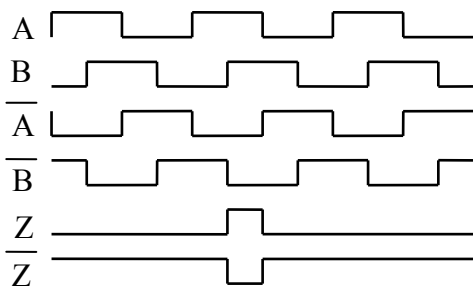


Shaft type	7mm or 11mm stainless steel shaft
Fixation	REO 444 flange or base
Body	Aluminium
Pulses per turn	Standard 1024, 2048 Others on request, max 5400
Termination	Junction box
Output signals	A and B with gated Z

Electrical characteristics (with one encoder)

Supply voltage	4,5 to 30V DC with reverse polarity protection
No load supply current	100mA under 4.5V – 25mA under 24V
Output signals	Universal complementary push pull (7272) RS422 compatible with 5V supply voltage
Max output frequency	300 kHz
Max load current per channel	20mA
EMC	According to EN 61000-6-2 and EN 61000-6-4

Output waveforms : A leads B for clockwise rotation from front size



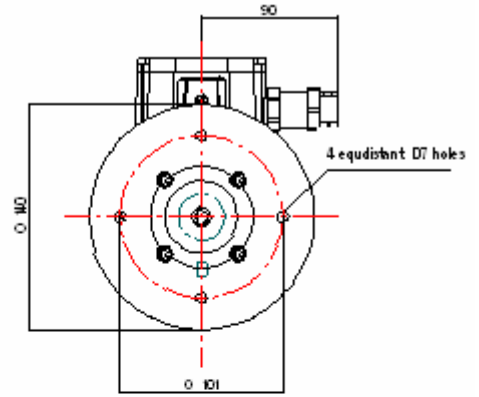
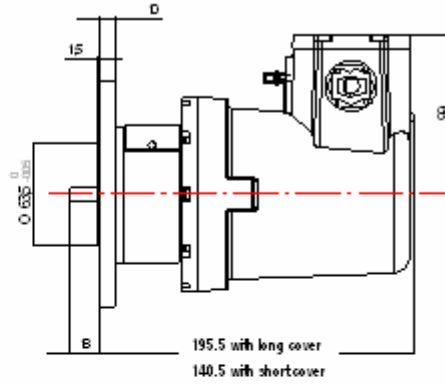
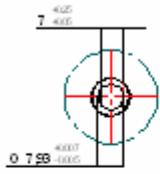
Connections
According to sensors combination

Mechanical characteristics (with one encoder)

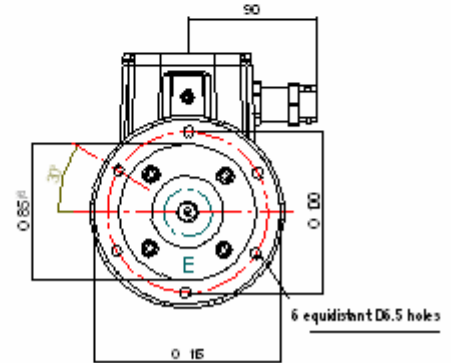
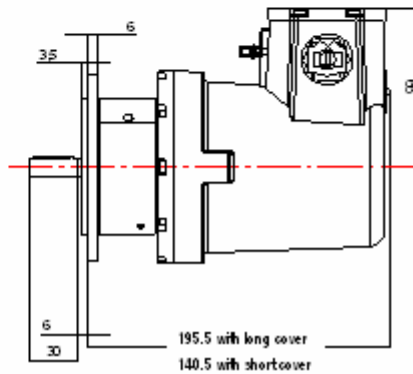
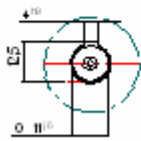
Max speed	10000rpm
Starting torque	≤1.5N.cm
Inertia	85gr.cm ²
Weight	4.35kg
Protection	IP66 (IEC 60529)

Outline drawings

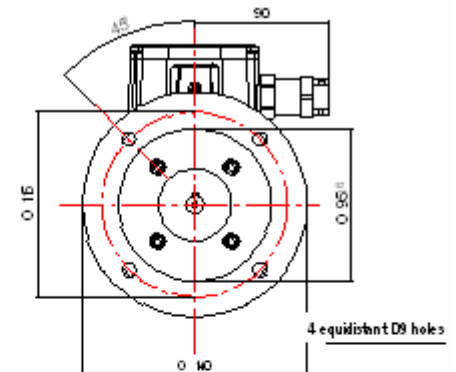
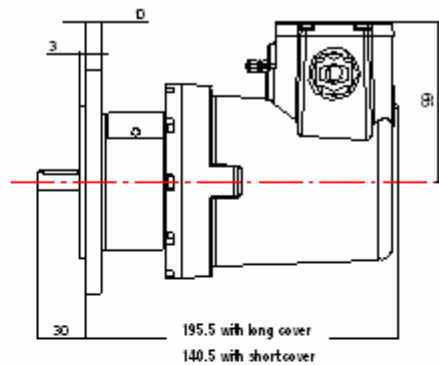
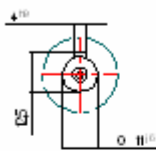
REO 444 US flange



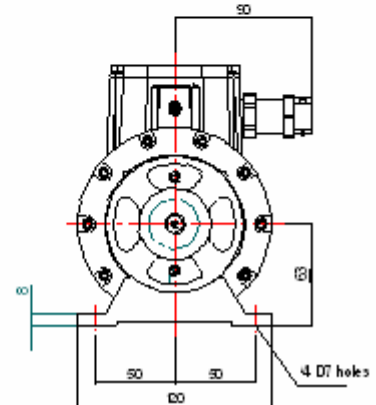
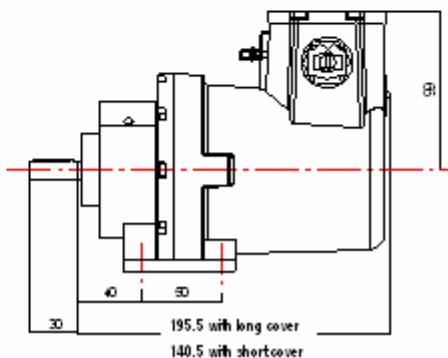
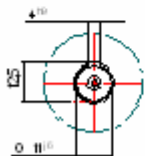
REO 444 standard flange



REO 444 ADF flange



REO 444 ADF base



Ordering codes

Consult us