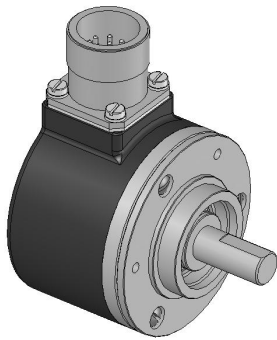


RCI58B FS

Incremental Optical Encoder with Shaft



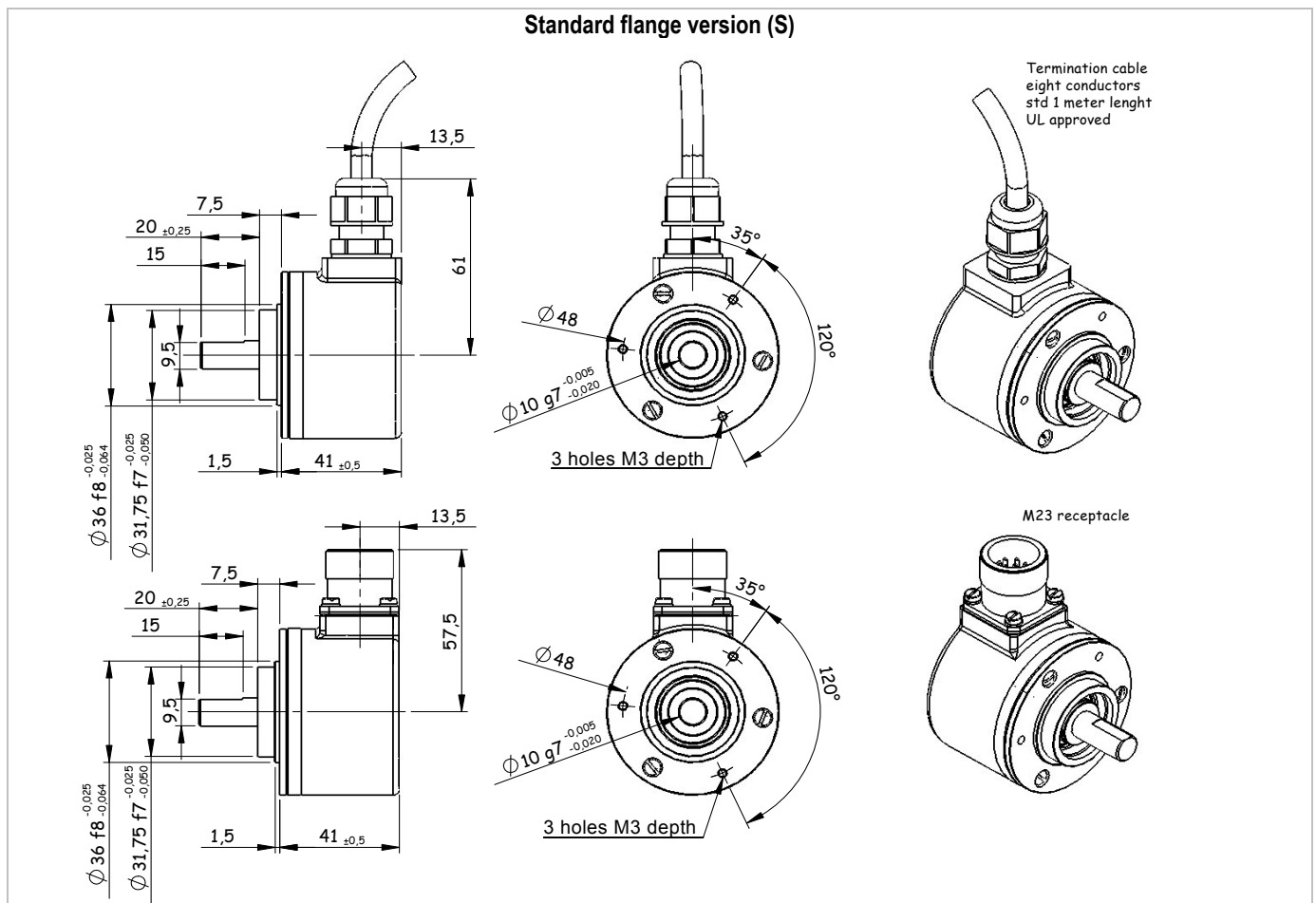
RADIO-ENERGIE optical incremental encoders are designed for accurately measuring speed and position of rotating shafts in industrial environment: machine tools, packing machines, motor drives ... They use a differential optical and ratio metric principle to minimize temperature and photodiode aging effects.

Their universal complementary push-pull output interface and their large supply voltage range make them very easy to connect to most of electronic control units with high noise immunity.

Main features

- Shaft type Full shaft Ø6, 10 mm and 1/4, 3/8 "
- Housing diameter 58 mm
- Fixation Standard flange, US square flange, or synchro-flange
- Body - Cover Aluminium – Zamac
- Shaft Stainless steel
- Pulses per turn 1024 and 2048
- Output signals A & B with gated Z
- Termination 1 meter radial cable
- Operating T° range - 25°C / + 85°C

Outline drawings

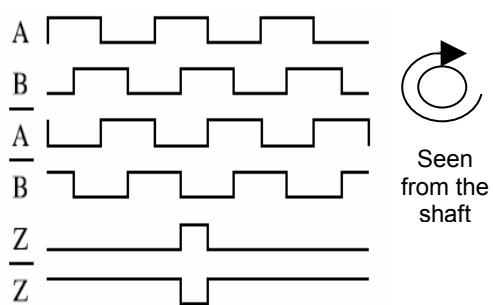


RCI58B FS

Electrical characteristics

- Supply voltage 4,5 to 30 Vdc
- Output signals Universal complementary push-pull (short circuit protected, 7272)
RS422 compatible with 5 V supply voltage
- Max output frequency 300 kHz
- Max load current 20 mA max per channel
- EMC According to EN 61000-6-2 and EN 61000-6-4

Connections

	Cable UL - 8 wires	M23 – CW	MS310	Output waveforms
A	white	5	A	
A /	yellow	6	H	
B	blue	8	B	
B /	orange	1	I	
Z	green	3	C	
Z /	brown	4	J	
Vcc (+)	red	12	D	
Gnd (-)	black	10	F	
Ground case	Drain	9	G	

Mechanical characteristics

- Max continuous speed 6 000 min⁻¹
- Starting torque < 0.5 N.cm
- Shaft Inertia 70 gr.cm²
- Weight 300 gr
- Protection IP 65 (IEC 60529) and IP64 at shaft end
- Max shock 100 g, 6 ms (IEC 68-2-27)
- Max vibrations 10 g, 10-2000 Hz (IEC 68-2-6)

Ordering code

RCI58B-FS10-S-01024-CA01

 Ø Flange Resolution Connection

- **Diameters** 06 (6 mm), 10 (10 mm), U1 (1/4"), U2 (3/8")
- **Flanges** S (standard), U (US square flange), Y (synchro)
- **Standard resolutions** 1024, 2048 and others resolutions upon request
- **Connections**

CA01: one meter cable, other lengths on request

23C1: M23 connector, 12 pins clockwise (CW)

MILP: MS310 connector, 10 pins

Other connections on request

- We reserve the right to modify technical characteristics in the interest of technological advance -